

# THE MOREPOWER PULLER®

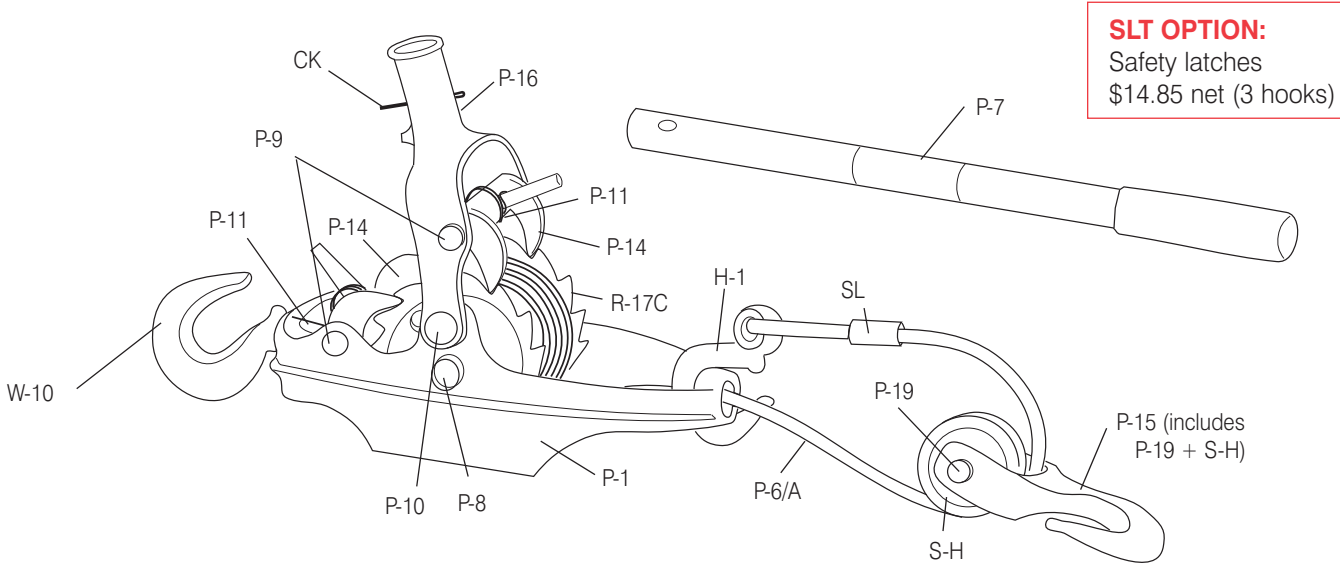
## LIST PRICES AND SPECIFICATIONS

Prices effective April 1, 2011

Prices subject to change without notice

Minimum order \$10.00

All prices F.O.B. Newark, Ohio



### Cable (wire rope) Models

MODEL NUMBER	CABLE/ROPE LENGTH (single line)	CAPACITY Dead Lift Rating (double line)	CAPACITY Pull/Drag Rating* (double line)	CABLE/ROPE SIZE	WEIGHT/LBS Puller	Shipping	PRICE
2-20	20 feet	2 ton (4,000 lbs.)	4 ton (8,000 lbs.)*	5/16"	23.7	25	\$ 183.50
2-20-SLT	20 feet	2 ton (4,000 lbs.)	4 ton (8,000 lbs.)*	5/16"	23.7	25	198.35
2-30	30 feet	2 ton (4,000 lbs.)	4 ton (8,000 lbs.)*	5/16"	25.2	27	190.75
2-30-SLT	30 feet	2 ton (4,000 lbs.)	4 ton (8,000 lbs.)*	5/16"	25.2	27	205.60
2-35	35 feet	2 ton (4,000 lbs.)	4 ton (8,000 lbs.)*	5/16"	26.0	28	196.50
2-35-SLT	35 feet	2 ton (4,000 lbs.)	4 ton (8,000 lbs.)*	5/16"	26.0	28	211.35
3-20	20 feet	3 ton (6,000 lbs.)	6 ton (12,000 lbs.)*	5/16"	25.0	27	188.50
3-20-SLT	20 feet	3 ton (6,000 lbs.)	6 ton (12,000 lbs.)*	5/16"	25.0	27	203.35

### Amsteel Blue® Synthetic Rope Models

2-20-A-SLT	20 feet	2 ton (4,000 lbs.)	4 ton (8,000 lbs.)*	5/16" Amsteel Blue	21.1	23	\$ 242.50
3-35-A-SLT	35 feet	3 ton (6,000 lbs.)	6 ton (12,000 lbs.)*	5/16" Amsteel Blue	23.0	25	294.25

\*Pull/Drag Ratings for comparison only. Winches and a few pullers are rated this way. There are too many variables to determine a scientific drag/pull rating, however, the commonly used ratio is 2:1. Variables include surface type (mud/rocks +), the incline, type of object being dragged, etc.

SEE PARTS PRICING ON BACK

Manufactured by

**The Wyeth-Scott Company**

Established 1906

85 Dayton Road • P. O. Box 888 • Newark, Ohio 43058-0888 • USA

Hours: 8:30 – 5:00 ET • Email: sales@wyeth-scott.com • Web page: www.wyeth-scott.com

Phone: 800/743-4521 or 740/345-4528 • Fax: 740/345-0123

Form # 0411

**THE MORE POWER PULLER®** Prices effective April 1, 2011 • Prices subject to change without notice

**Parts - 2 Ton Model**

A-20-H1-SLT	20' of 5/16" Amsteel Blue® Synthetic rope w/H1 end hook (w/safety latch) installed on rope (RF included but not 100% installed)	\$ 91.85
A-35-H1-SLT	35' of 5/16" Amsteel Blue® Synthetic rope w/H1 end hook (w/safety latch) installed on rope (RF included but not 100% installed)	146.35
CK	Cotter Key	.15
H1	Hook (end of cable)	9.35
H1-SLT	Hook with safety latch (end of cable)	14.30
P1	Frame	55.00
P620	20' of 5/16" cable with rivet attachment (ready to apply to reel)	31.85
P620-H1	20' of 5/16" cable w/H1 end hook attached to cable (RF included, but not 100% installed)	42.45
P620-H1-SLT	20' of 5/16" cable w/H1 end hook (w/safety latch) attached to cable (RF included, but not 100% installed)	47.40
P630	30' of 5/16" cable with rivet attachment (ready to apply to reel)	38.40
P630-H1	30' of 5/16" cable w/H1 end hook attached to cable (RF included, but not 100% installed)	49.00
P630-H1-SLT	30' of 5/16" cable w/H1 end hook (w/safety latch) attached to cable (RF included, but not 100% installed)	53.95
P635	35' of 5/16" cable with rivet attachment (ready to apply to reel)	41.70
P635-H1	35' of 5/16" cable w/H1 end hook attached to cable (RF included, but not 100% installed)	52.30
P635-H1-SLT	35' of 5/16" cable w/H1 end hook (w/safety latch) attached to cable (RF included, but not 100% installed)	57.25
P7	Tubular safety handle	4.50
P7-EXT	Safety handle extension (18" long w/red grip) (inserts into P7) – 2 ton unit	6.95
P8	Tubular rivet for reel	1.80
P9	Rivet for pawl	1.80
P10	Shoulder rivet (attach yoke, 2 required)	1.00
P11	Spring for pawl on yoke or frame	.95
P13	Cable Clamp for 5/16 cable (2 required)	1.30
P14	Pawl	12.60
P15	Tackle block hook (includes P19 & SH)	32.50
P15-SLT	Tackle block hook with safety latch (includes P19 and SH)	37.45
P16	Yoke with 2 shoulder rivets	29.50
P19	Clevis pin (w/hitch pin) (attach SH to P15)	.92
P22	Drag spring for reel (cast reel only)	.67
R17C	Reel	27.60
RF	Rivet and ferrule - cable to reel attachment	4.50
SH	Sheave	4.20
SL	Aluminum alloy sleeve (mfg. installed)	1.25
SLT-1	Safety latch (for H1 hook)	4.10 net
SLT-2	Safety latch (for P15 & W10 hooks)	4.10 net
W10	Frame hook (includes nut)	15.00
W10-SLT	Frame hook with safety latch (includes nut)	19.95

**REPAIR INSTRUCTIONS  
 AVAILABLE ONLINE AT  
[www.wyeth-scott.com](http://www.wyeth-scott.com)  
 or by fax.**

**Parts - 3 Ton Model**

*Parts same as 2 ton except as noted below.*

P620	20' of 5/16" cable with rivet attachment (ready to apply to reel)	31.85
P620-H1	20' of 5/16" cable w/H1 end hook attached to cable (RF included, but not 100% installed)	42.45
P620-H1-SLT	20' of 5/16" cable w/H1 end hook (w/safety latch) attached to cable (RF included, but not 100% installed)	47.40
P7-3	Tubular safety handle - 3 ton unit	5.10
P7-3-EXT	Safety handle extension (18" long w/blue grip) (inserts into P7-3) – 3 ton unit	7.55
P15-3	Tackle block hook (includes P19-3 & SH-3)	43.75
P15-3-SLT	Tackle block hook with safety latch (includes P19-3 and SH-3)	48.70
P19-3	Clevis pin (w/hitch pin) (attach SH-3 to P15-3)	1.90
SH-3	Sheave	5.00

**Chokers (extension cables w/loop on each end)**

C05	5' choker made with 5/16" cable	6.35 net
C10	10' choker made with 5/16" cable	10.00 net
C25	25' choker made with 5/16" cable	20.95 net
C50	50' choker made with 5/16" cable	40.00 net
C100	100' choker made with 5/16" cable	77.50 net