

THE MOREPOWER PULLER®

Thank you for purchasing The More Power Puller®. If you have any questions about using your puller, please feel free to contact us with any questions. Also, your comments or suggestions are always appreciated (good or bad). Thank you again.

READ THIS ENTIRE MANUAL BEFORE OPERATING

OPERATING INSTRUCTIONS | SAFETY
INSTRUCTIONS | PARTS LIST | WARRANTY

Manufactured in the USA by

The Wyeth-Scott Company

Since 1934

Business hours: Monday – Friday
8:30 – 5:00 Eastern Time
Phone: 800/743-4521 or 740/345-4528
Fax: 740/345-0123
Email: sales@wyeth-scott.com
Web: www.wyeth-scott.com

Mailing Address:
Wyeth-Scott Co., P.O. Box 888
Newark, OH 43058-0888

Physical Address:
Wyeth-Scott Co.
85 Dayton Road
Newark, OH 43055

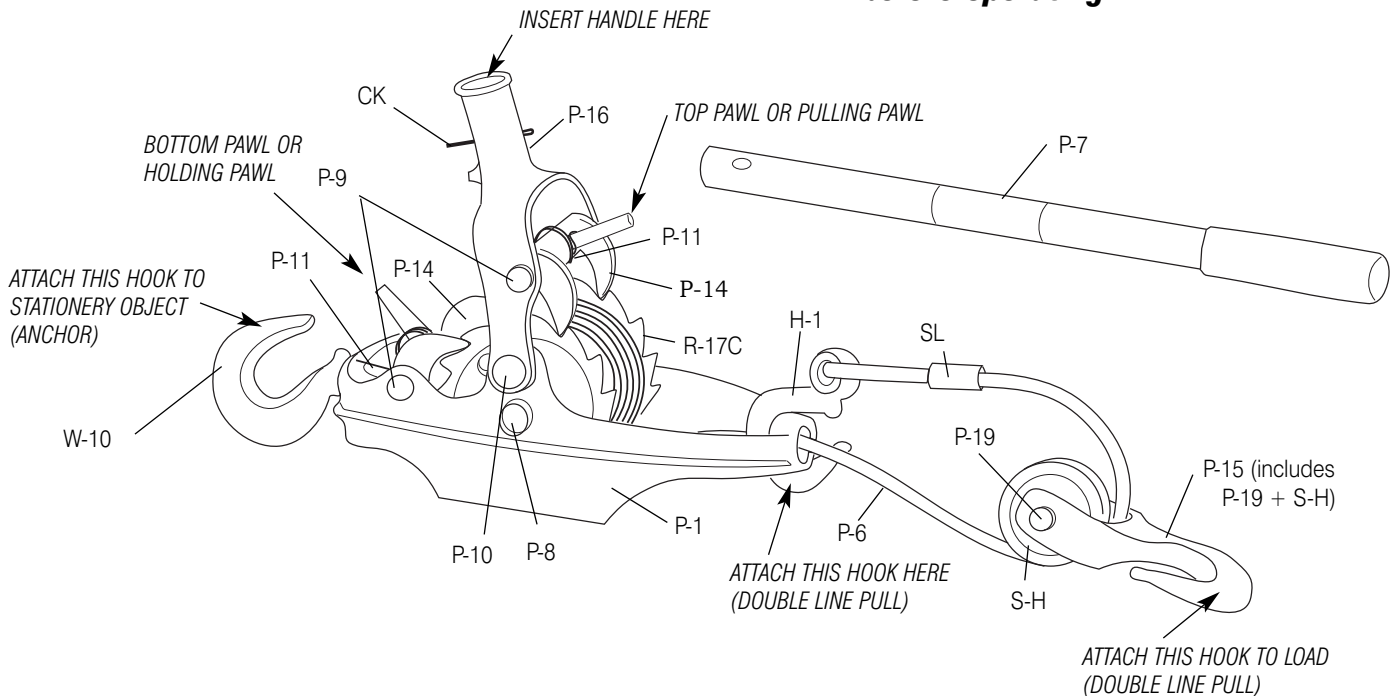


*3-ton Synthetic Rope
Puller shown.*

INSTRUCTIONS FOR USE AND CARE

THE MORE POWER PULLER®

**Please read this entire manual
before operating**



OPERATING INSTRUCTIONS

- **Read entire instructions and warnings before using puller.**
- **Wear appropriate gloves when handling cable.**
- **Insert handle**
 - Insert the handle (P7) in the yoke. Insert cotter key through handle.
- **Attach hook/cable (rope) to load (object to be moved)**
 - Attach the end hook (H1) to the load.
- **Pull cable (rope) off reel and attach frame hook to anchor point**
 - To pull the cable (rope) off the reel, press top pawl lever and hold down against yoke (pawl is disengaged from reel).
 - Press down on bottom pawl lever while moving towards your anchor point. Keep tension on the cable to prevent tangling. On newer (stiffer) cable, you may want to do this in short bursts to help prevent tangling.
 - Pull enough cable (rope) out for the type of pull you will be doing (double line or single line). To prevent damage to the cable (rope) when moving the load, have at least the minimum number of wraps around the reel (3 cable / 5 rope), but no more than one layer of cable (rope) on the reel.
- **Heavy load:** For the rating on the puller's frame, use a double line pull – attach end hook (H1) to puller frame (right side of hole where cable (rope) comes out) and attach tackle block hook (P15) to the load.
 - **Light load:** For half the rating on the puller's frame, use a single line pull – attach end hook (H1) to the load.
- Attach frame hook (W10) to your anchor point.
- **Move the load**
 - Keep at least **3 WRAPS of CABLE AROUND REEL (5 WRAPS OF ROPE)** to prevent end from coming out reel. To prevent damage to the cable (rope), have no more than one layer on the reel when you initially begin moving the load.
 - Crank the handle back and forth to move the object. **Cable (rope) should be level wound with no gaps. Improper spooling is the worst enemy of cable.**
- **Release the load**
 - Press top pawl lever and hold (disengaged from reel), move handle forward (towards load).

- **Use extreme caution.**
- Release top pawl lever (reengage in to reel).
- Press down on handle and hold down firmly. Full load will be on handle.
- Press and hold bottom pawl lever (to disengage it from reel).
- **Slowly** move handle back (towards anchor point).
CAUTION: Only move one (1) notch at a time for a heavy load; 4 notch maximum on light load.
- Release bottom pawl lever (to reengage it in to reel).
- Repeat the above procedures until the tension is off the cable (rope).

- Remove frame hook (W10) from the anchor point.
- **Wind cable (rope) back on reel**
- You may want to remove the handle from the yoke.
- Hold the puller by the frame hook.
- While walking toward the load, crank the yoke/handle back and forth.
- **Keep tension on the cable (rope). It should be level wound with no gaps. Improper spooling is the worst enemy of cable.**

SAFETY INSTRUCTIONS – MUST READ

- Improper use can result in **SERIOUS INJURY OR DEATH**. Remember any product will break if abused or misused.
- Inspect puller before initial use to be sure all moving parts are working freely.
- Inspect entire puller before each use for damaged or worn parts, including cable (rope). Do not operate if damaged or malfunctioning.
- DO NOT exceed capacity. Rated capacity is with double line. Capacity with single line is one-half of rated capacity.
- **ALWAYS** use the **SAFETY HANDLE** furnished with puller. It is designed to bend when the rated capacity of puller is exceeded. NEVER use a cheater bar (pipe) or other handle because of possible overloading. The use of a cheater VOIDS warranty.
- Keep at least **3 WRAPS of CABLE AROUND REEL (5 WRAPS OF ROPE)** to prevent end from coming out of reel. Have no more than one layer of cable (rope) on the reel when initially moving a load. Cable (rope) should be tightly wound around the reel, and level wound with no gaps. Failure to do this will damage cable. Improper spooling is the worst enemy of cable.
- DO NOT bend cable (rope) over sharp corners.
- **AVOID SHOCK LOADS** (sudden force). This will break any cable. Rope could break and/or have unseen internal damage.
- Do not use puller, or cable (rope), as a tow line or recovery strap. This can cause a shock load.
- All hooks are designed so that the load should be transferred only through the BASE or BOTTOM OF THE HOOK, not the tip. They are also designed for a straight pull, not sideways.
- Never wrap cable (rope) around object & then attach the hook back on to the cable (rope).
- Keep puller well **GREASED/OILED** with White Lithium Grease w/Teflon, White Lithium Grease or 3-In-One Oil (SAE-20).
- Do not use to lift people, or loads over people.
- Protect yourself from injury...
...**EXPECT THE UNEXPECTED.**

SYNTHETIC ROPE PULLER ADDITIONAL NOTES – MUST READ

- Use only rope in good condition, without cuts or pulled strands. Visit our website, or call, for a complete inspection list for rope.
- AVOID abrasive surfaces.
- Avoid fire, welding sparks, hot metal cuttings, etc.
- Avoid chemical exposure (fumes or contact).
- Storage: Rope should be stored clean, dry and out of direct sunlight.
- Do not tie rope in a knot.
- DO NOT pick the splices apart.

Parts - 2 Ton Model

A-20-H1-SLT	20' of 5/16" Synthetic rope w/H1 end hook (w/safety latch) installed on rope (RF included but not 100% installed)
A-35-H1-SLT	35' of 5/16" Synthetic rope w/H1 end hook (w/safety latch) installed on rope (RF included but not 100% installed)
CK	Cotter Key
H1	Hook (end of cable)
H1-SLT	Hook with safety latch (end of cable)
P1	Frame
P620	20' of 5/16" cable with rivet attachment (ready to apply to reel)
P620-H1	20' of 5/16" cable w/H1 end hook attached to cable (RF included, but not 100% installed)
P620-H1-SLT	20' of 5/16" cable w/H1 end hook (w/safety latch) attached to cable (RF included, but not 100% installed)
P630	30' of 5/16" cable with rivet attachment (ready to apply to reel)
P630-H1	30' of 5/16" cable w/H1 end hook attached to cable (RF included, but not 100% installed)
P630-H1-SLT	30' of 5/16" cable w/H1 end hook (w/safety latch) attached to cable (RF included, but not 100% installed)
P635	35' of 5/16" cable with rivet attachment (ready to apply to reel)
P635-H1	35' of 5/16" cable w/H1 end hook attached to cable (RF included, but not 100% installed)
P635-H1-SLT	35' of 5/16" cable w/H1 end hook (w/safety latch) attached to cable (RF included, but not 100% installed)
P7	Tubular safety handle
P7-EXT	Safety handle extension (18" long w/red grip) (inserts into P7) – 2 ton unit
P8	Tubular rivet for reel
P9	Rivet for pawl
P10	Shoulder rivet (attach yoke, 2 required)
P11	Spring for pawl on yoke or frame
P13	Cable Clamp for 5/16 cable (2 required)
P14	Pawl
P15	Tackle block hook (includes P19 & SH)
P15-SLT	Tackle block hook with safety latch (includes P19 and SH)
P16	Yoke with 2 shoulder rivets
P19	Clevis pin (w/hitch pin) (attach SH to P15)
R17C	Reel
RF	Rivet and ferrule - cable to reel attachment
SH	Sheave
SL	Aluminum alloy sleeve (mfg. installed)
SLT-1	Safety latch (for H1 hook)
SLT-2	Safety latch (for P15 & W10 hooks)
W10	Frame hook (includes nut)
W10-SLT	Frame hook with safety latch (includes nut)

Parts - 3 Ton Model

Parts same as 2 Ton except as noted below.

P620	20' of 5/16" cable with rivet attachment (ready to apply to reel)
P620-H1	20' of 5/16" cable w/H1 end hook attached to cable (RF included, but not 100% installed)
P620-H1-SLT	20' of 5/16" cable w/H1 end hook (w/safety latch) attached to cable (RF included, but not 100% installed)
P7-3	Tubular safety handle - 3 ton unit
P7-3-EXT	Safety handle extension (18" long w/blue grip) (inserts into P7-3) – 3 ton unit
P15-3	Tackle block hook (includes P19-3 & SH-3)
P15-3-SLT	Tackle block hook with safety latch (includes P19-3 and SH-3)
P19-3	Clevis pin (w/hitch pin) (attach SH-3 to P15-3)
SH-3	Sheave

Chokers (extension cables w/loop on each end)

C05	5' choker made with 5/16" cable
C10	10' choker made with 5/16" cable
C25	25' choker made with 5/16" cable
C50	50' choker made with 5/16" cable
C100	100' choker made with 5/16" cable

WYETH-SCOTT WARRANTY

Manufacturer warrants The More Power Puller® to be free from defects in material and workmanship for a period of two years from the date of purchase by the original consumer and agrees to replace, free of charge, any part or parts thereof which fail through defect in material or workmanship within said two years.

Pullers claimed defective must be returned to the factory where facilities for inspection are maintained. Shipping expenses to and from Wyeth-Scott Co. are the responsibility of the consumer. If claimed defective puller is covered under warranty, manufacturer will reimburse consumer for the shipping to the factory and there will be no charge for return shipping.

Ship to: Wyeth-Scott Co., 85 Dayton Road, Newark, OH 43055

Phone: 800/743-4521 or 740/345-4528, Fax: 740/345-0123

Email: sales@wyeth-scott.com, Hours: Monday – Friday 8:30-5:00 Eastern Time

This Warranty is void if a cheater bar (pipe) is used, puller is not kept lubricated, is altered or abused. Please read and follow the enclosed directions on the proper use of The More Power Puller® to protect yourself, and puller, from injury/damage. The most common warranty claim is a damaged cable, and after inspection at the factory &/or a certified lab, it has always been from the use of a cheater pipe, improper spooling or a shock load = abused puller. Synthetic rope would be the same.

This Warranty shall unconditionally expire two years from the date of purchase by the original consumer.

This Warranty is expressly in lieu of all other warranties, expressed or implied. Any labor performed by the dealer or customer to correct a claimed defect must be covered by a written authorization from the factory. Labor performed without authorization will void this warranty.

REVISED 04-17-10

Manufactured in the USA by

The Wyeth-Scott Company

Since 1934

Business hours: Monday – Friday

8:30 – 5:00 Eastern Time

Phone: 800/743-4521 or 740/345-4528

Fax: 740/345-0123

Email: sales@wyeth-scott.com

Web: www.wyeth-scott.com

Mailing Address:

Wyeth-Scott Co.

P. O. Box 888

Newark, OH 43058-0888

Physical Address:

Wyeth-Scott Co.

85 Dayton Road

Newark, OH 43055